

Orion Middy

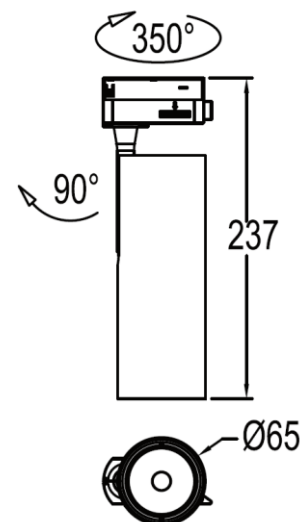
LED Track Light for Retail & Residential Application



- Super compact design track light suitable for different application
- Driver integrated
- Different Optic Available: 15°, 24°, 38°, 55°
- 350° rotatable and 90° tilt-able
- Phase cut dimmable
- 3 circuit version available
- White/Black Body available
- Surface mount available



Technical Specification	
Lumen Output range	1700lm
Module Power	20W
Ip Rating	IP20
Color Temperature	3000K / 4000K
CRI Option	CRI 90+
Beam Angle	15° / 24° / 38° / 55°
LED Chip Lifetime	50,000 hrs
Finish Color	White & Black
Dimming Option	Phase cut
Dimension	237 x 65mm
Circuit	3circuit



* IES Files are available on request